



CE 1051 B.



Electric cooker, 5 electric hotplates,
1 electric oven 900 x 450.

- Body and front in stainless steel.
- Stainless steel legs with adjustable feet. Height: 150/175 mm.
- Total power: 14.6 kW.
- Electrical supply: three-phase 400 V + N + E.
- 400 V without N phase for additional cost.

Hob

- Dimensions: 1000 x 650 mm.
- 2 x 1.5 kW hotplates, 1 Ø 145 mm - 1 Ø 180 mm.
- 2 x 1 kW hotplates, Ø 180 mm - 1 Ø 220 mm.
- 1 x 2.6 kW hotplate, Ø 220 mm.

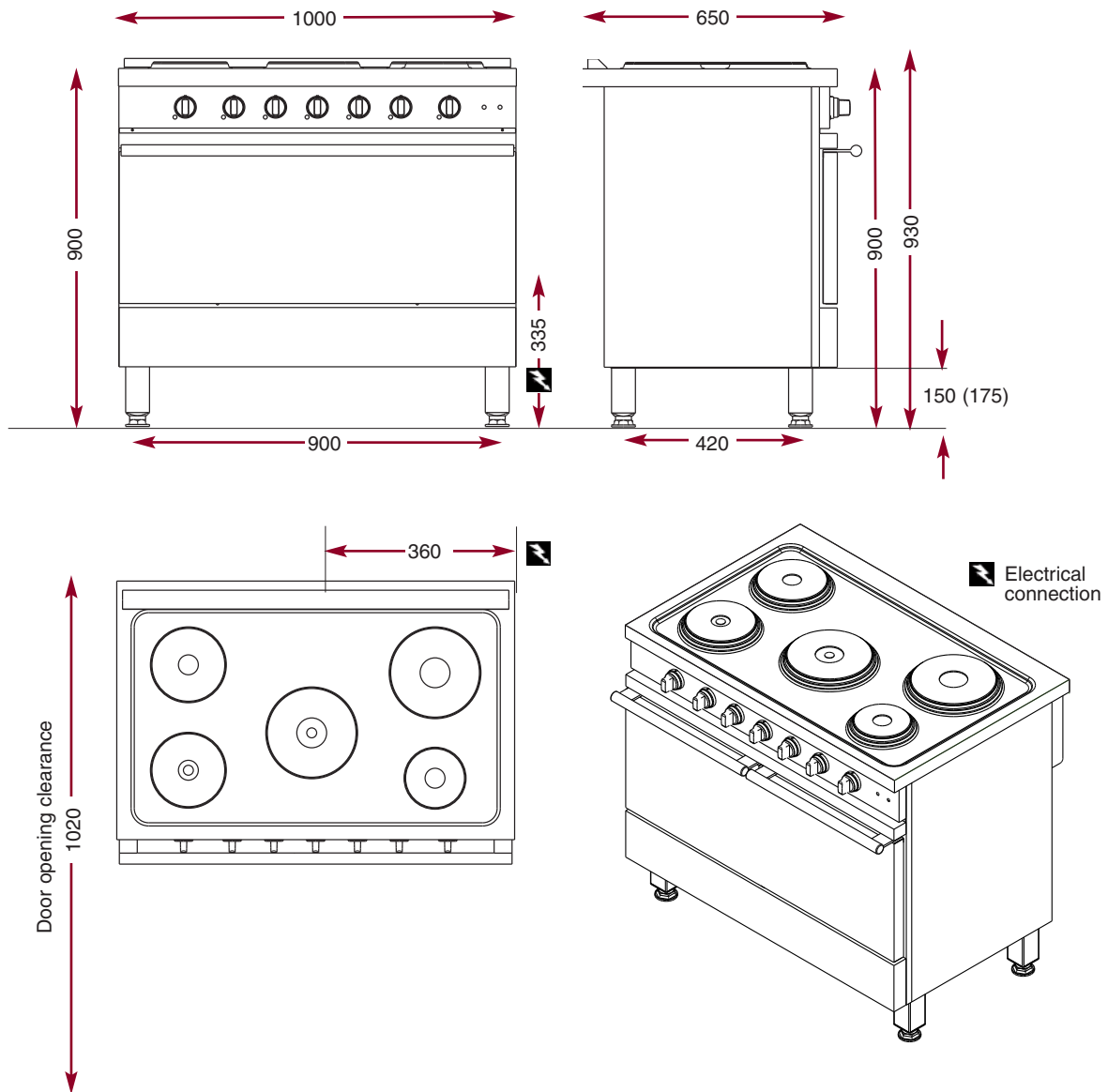
Oven

- Interior dimensions: W 900 - D 455 - H 305 mm.
- Power of heating elements:
Base + periphery roof: element: 2 x 2.5 kW - Grill: 2 x 2.4 kW.
- Thermostat.
- Standard equipment: 1 oven rack, 1 enamelled roasting dish.

CE 1051 B

W 1000 - D 650 - H 900

5 electric hotplates, 1 electric oven 900 x 450. CE 1051 B



Electric hotplates.

The hobs of the electric cookers are fitted with cast iron electric hotplates or vitroceramic radiant rings. The static electric or convection electric ovens are finished in smooth antiacidic enamel.



The Chef's Choice.